

WARNING: RISK OF FIRE AND ELECTRICAL SHOCK. FIXTURE MUST BE INSTALLED BY A QUALIFIED ELECTRICIAN ONLY IN ACCORDANCE WITH NATIONAL, LOCAL BUILDING AND ELECTRICAL CODES. DISCONNECT POWER AT ELECTRICAL PANEL BEFORE SERVICING.

14123 INSTALLATION INSTRUCTIONS FOR: RECESSED J-BOX DOWNLIGHT

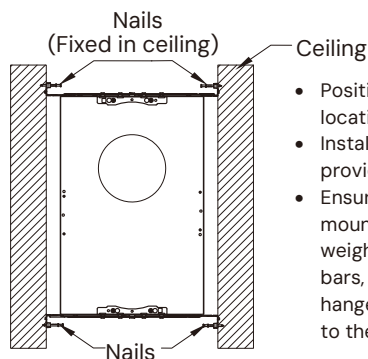
Please read all instructions prior to installation and keep for future reference!

1. Thoroughly read and understand these instructions before beginning the installation of this luminaire.
2. Consult a qualified electrician to ensure that the correct branch circuit conductor is used.
3. Installation and operation should be performed by a qualified electrician or technician in compliance with all relevant local codes.
4. Risk of Electric Shock: Ensure that the main power source is turned off before wiring or soldering any sections of the product.
5. Before installing this fixture or performing any maintenance, turn off the power supply at the circuit breaker or fuse box.
6. Verify that all fixture connections are properly made and that the fixture is grounded to prevent potential electrical shocks.
7. This fixture is designed for use with AC 120–347V, 50/60Hz, and 0–10V dimming on a protected circuit.



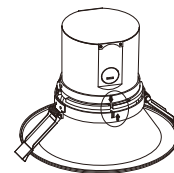
PRE-INSTALLATION

Install the New Construction Frame Kit

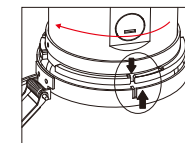


- Position the frame kit in the desired location within the ceiling.
- Install the frame kit using the two provided hanger bars.
- Ensure the frame kit is securely mounted in the ceiling, with its weight fully supported by the hanger bars, mounting channel, bar, and/or hanger wires that are firmly attached to the building structure.

If the LED engine and trim are separate, assemble them together:



1. Align the slot of the LED engine with the trim according to the direction of the arrow shown.



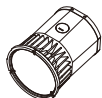
2. Rotate clockwise until it is securely tightened.

Available LED Engines



10/15/20W

IC-Rated



20/27/40W

Non-IC rated

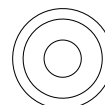
Optional Trims



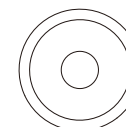
4" Round



6" Round



8" Round



10" Round



4" Round Wall Wash



6" Round Wall Wash



4" Square



6" Square



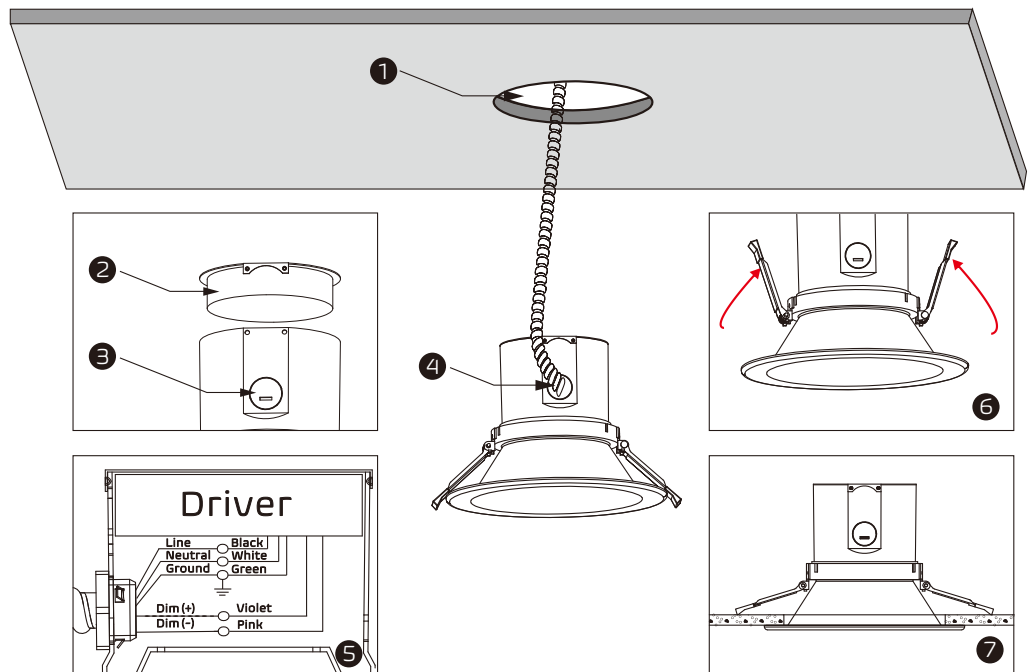
4" Square Wall Wash



6" Square Wall Wash

INSTALLATION

WARNING: RISK OF FIRE AND ELECTRICAL SHOCK. FIXTURE MUST BE INSTALLED BY A QUALIFIED ELECTRICIAN ONLY IN ACCORDANCE WITH NATIONAL, LOCAL BUILDING AND ELECTRICAL CODES. DISCONNECT POWER AT ELECTRICAL PANEL BEFORE SERVICING.



1. Drill the Hole: Create a hole in the ceiling based on the trim size specified in Table 1.
2. Open the LED Engine Cover: Remove the cover of the LED engine by following the direction indicated by the arrow.
3. Remove Knockouts: Remove the necessary knockout(s) for power supply wiring.
4. Insert Wires: Feed the power supply wires into the junction box using a conduit fitting.
5. Make Electrical Connections: Connect the line wire to the black wire, the neutral wire to the white wire, and the ground wire to the green wire using the provided quick disconnects.

Note: For dimming functionality, this fixture is compatible with a 0-10V dimmer. Connect the driver's VIOLET (D+) wire to the dimmer's VIOLET (D+) terminal, and the driver's PINK (D-) wire to the dimmer's PINK (D-) terminal using the provided nuts.

- Place all wires and wire nuts inside the fixture junction box. Secure the cover by aligning it with the direction indicated by the arrow and close it.

6. Secure the LED downlight to the ceiling by tightening the spring. Adjust the position as needed and complete the installation in step 7.

Optional Function:
Adjust the fixture's wattage and color temperature (CCT) using the dip-switches. For details on each setting, refer to the label on top of the driver.

Trim Type	Recommended Hole Size
4 inch round	4.7"min. to 5.2" max.
4 inch round wall wash	5.3"min. to 6" max.
4 inch square	5.3"min. to 6" max.
4 inch square wall wash	5.3"min. to 6" max.
6 inch round	6"min. to 7.3" max.
6 inch round wall wash	6"min. to 7.3" max.
6 inch square	6"min. to 7.3" max.
6 inch square wall wash	6"min. to 7.3" max.
8 inch round	7.4"min. to 8.9" max.
10 inch round	9.5"min. to 10.8" max.

Table 1